

Receptions



SMART



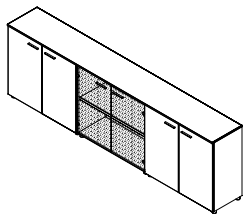
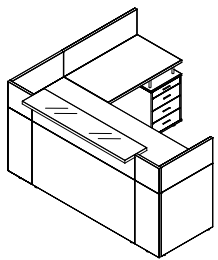
HELLO

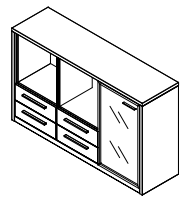
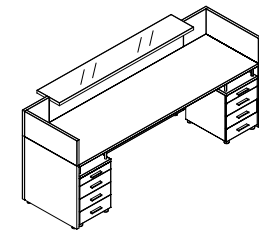


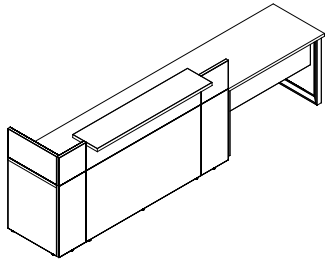
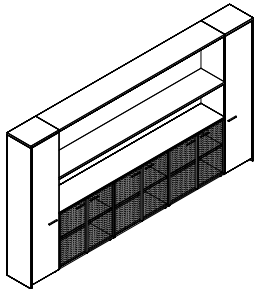
CLASS

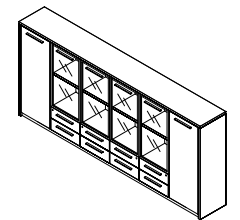
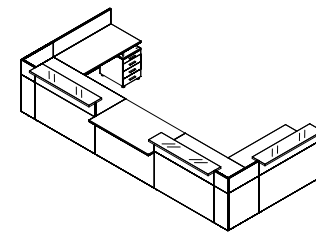


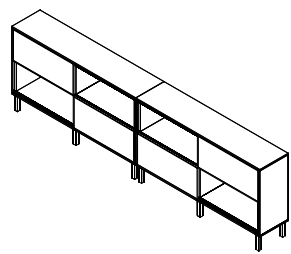
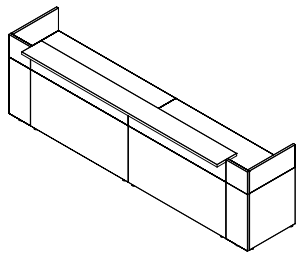
LOBBY











SMART TECHNICAL SPECIFICATIONS

WORKTOPS

Made of 30 mm thick particleboards in rectangular form, faced with melamine or lacquered finish, available in a variety of standard colours. The tops are fitted to the support panels with knock-down fittings for easier and unlimited disassembly and re-assembly.

FRONT & SIDE SUPPORT PANELS

Modular, vertically oriented 30mm-thick particleboards faced in melamine or in lacquer are used for sides and front panels. All are finished off with matching PVC edgings or lacquered finish. All panels are fitted with plastic height adjusters for possible floor abnormalities.

COUNTER TOPS

30mm - or 36cm - thick particleboards, faced in melamine or in painted glass frame in polished aluminum

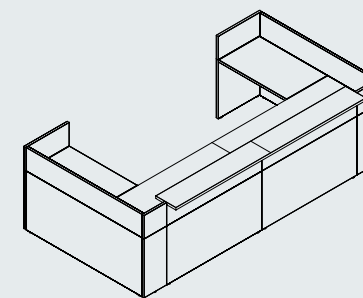
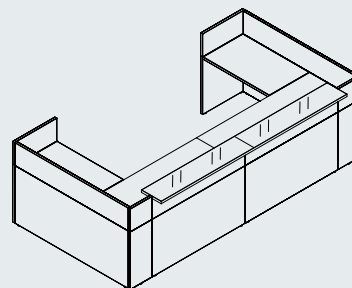
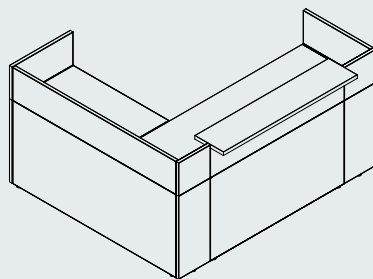
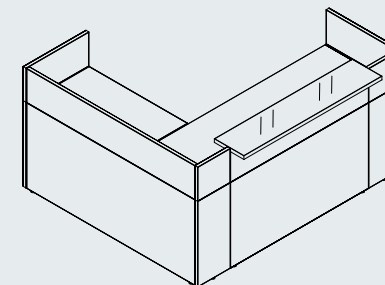
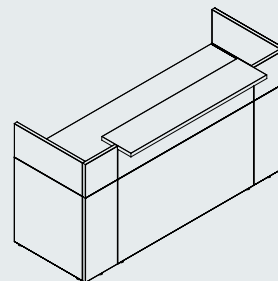
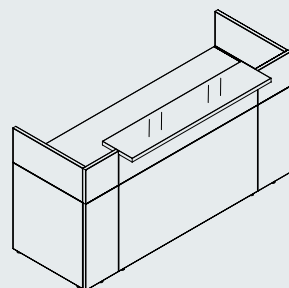
VARIETY OF COLOURS

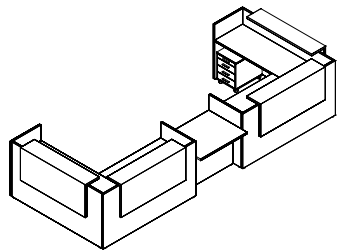
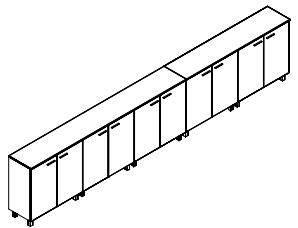
As per standard melamine colour card

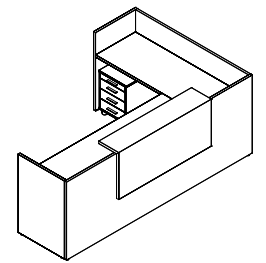
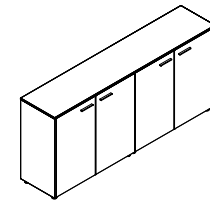
KD FITTINGS

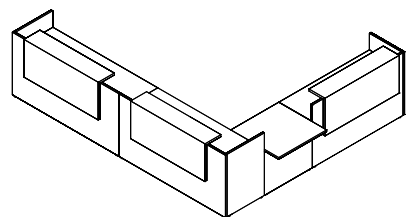
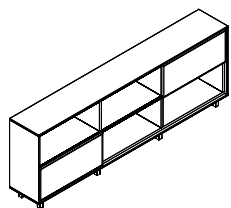
All connections are carried through a 4-part metal KD fitting. Metal inserts are permanently inserted in the core of the particleboard enabling easier and unlimited disassembly and re-assembly.

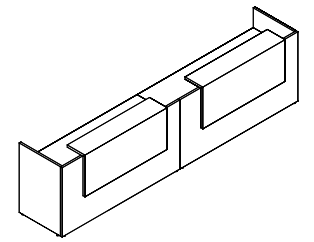
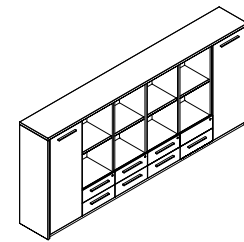
SMART

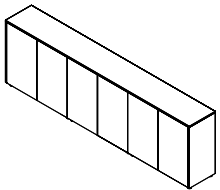
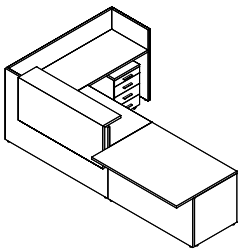


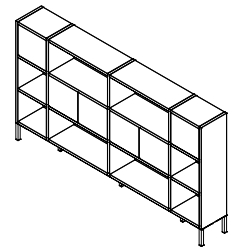
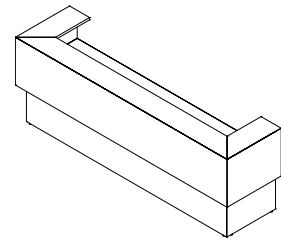


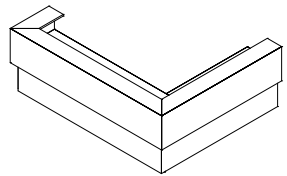












HELLO TECHNICAL SPECIFICATIONS

WORKTOPS

Made of 30 mm thick Particleboards faced in melamine (MFC) or in lacquered Medium Density Fiberboards (MDF) in rectangular form, available in a variety of colours. The tops are fitted to the support panels with knock-down fittings for easier and unlimited disassembly and re-assembly.

FRONT & SIDE SUPPORT PANELS

Monolithic 30mm - thick Particleboards faced in melamine (MFC) or in lacquered Medium Density Fiberboards (MDF) are used for sides and front panels. All are finished off with matching PVC edgings or lacquered finish. All panels are fitted with plastic or aluminum height adjusters for possible floor abnormalities.

COUNTER TOPS

30mm - thick Particleboards faced in melamine (MFC) or in lacquered Medium Density Fiberboards (MDF) in a drop-down design, faced in melamine or in lacquer with optional concealed LED lighting feature

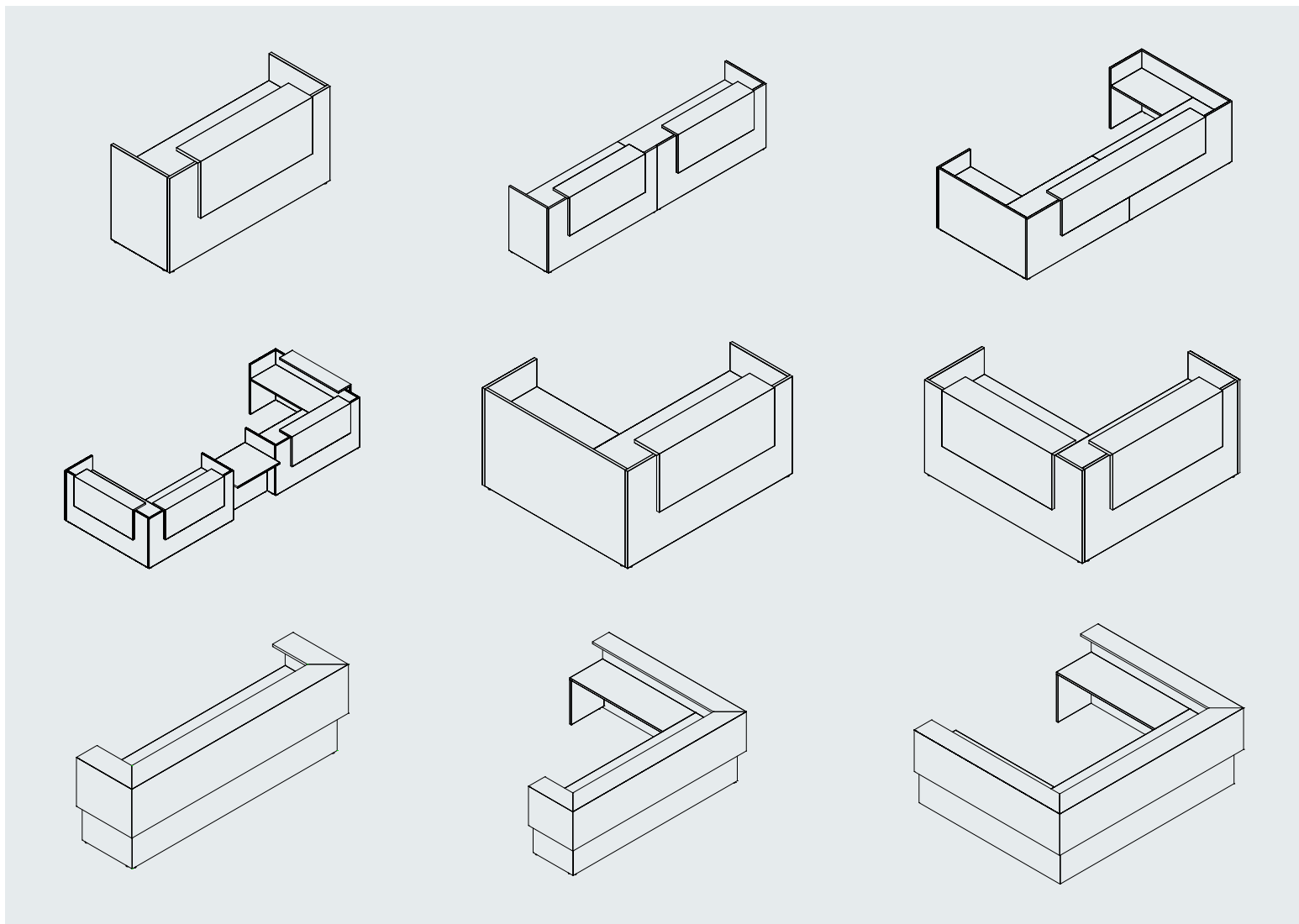
VARIETY OF COLOURS

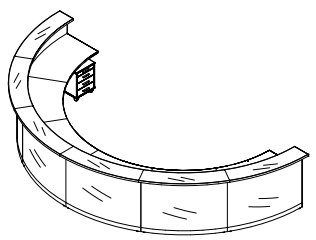
As per standard melamine colour card

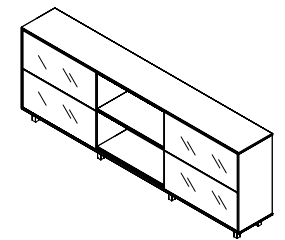
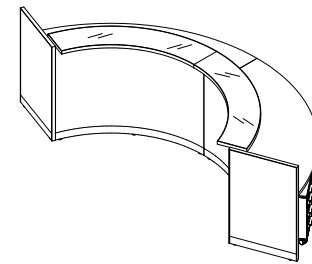
KD FITTINGS

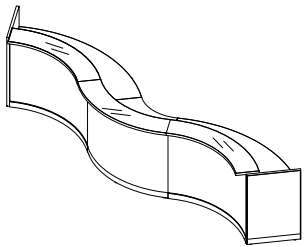
All connections are carried through a 4-part metal KD fitting. Metal inserts are permanently inserted in the core of the particleboard enabling easier and unlimited disassembly and re-assembly.

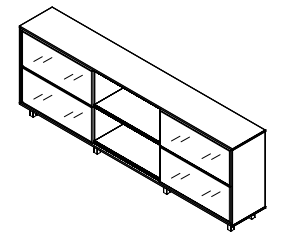
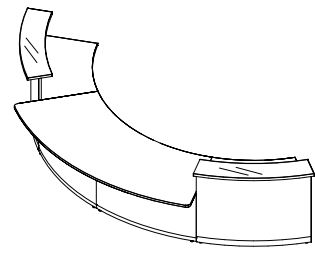
HELLO & HELLO CORNER

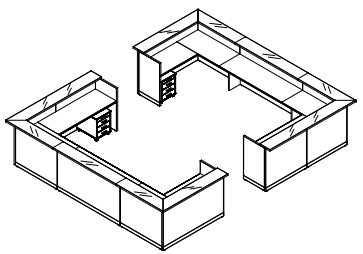
















CLASS TECHNICAL SPECIFICATIONS

WORKTOPS

Made of 30 mm thick particleboards in rectangular form, faced with melamine or lacquered finish, available in a variety of standard colours. The tops are fitted to the support panels with knock-down fittings for easier and unlimited disassembly and re-assembly.

FRONT & SIDE SUPPORT PANELS

Vertically oriented or curved panels faced with painted glass of 36mm thickness, are used for sides and front support panels, all edged with polished aluminum profile. There is a bottom skirting in aluminum, 8cm in height. All panels are fitted with aluminum height adjusters for possible floor abnormalities.

COUNTER TOPS

36mm - thick particleboards, faced in painted glass frame in polished aluminium

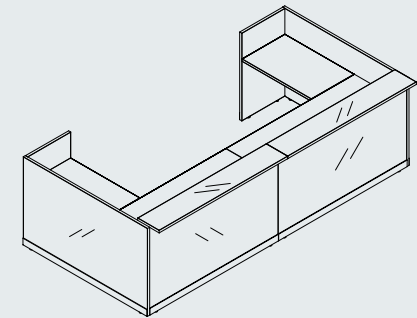
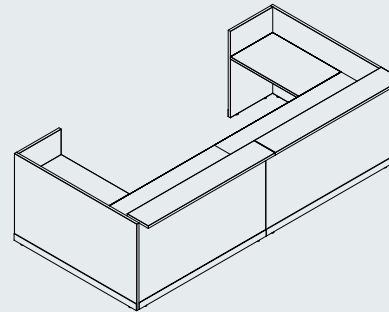
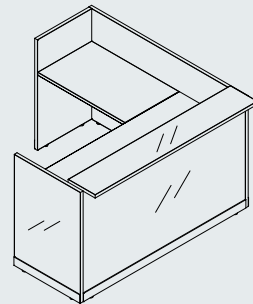
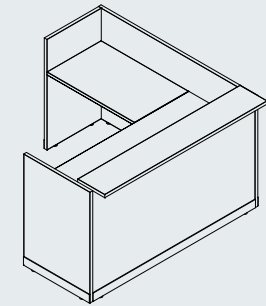
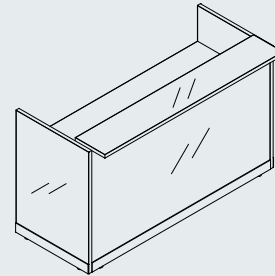
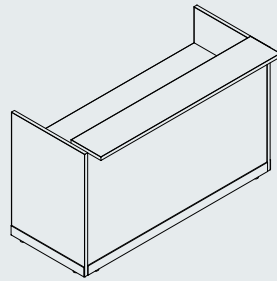
VARIETY OF COLOURS

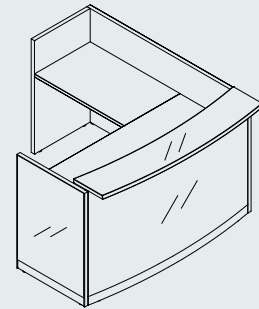
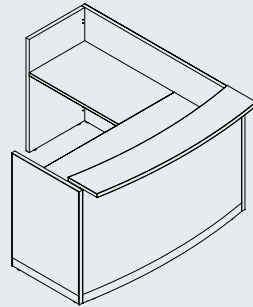
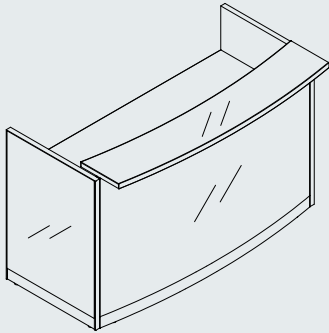
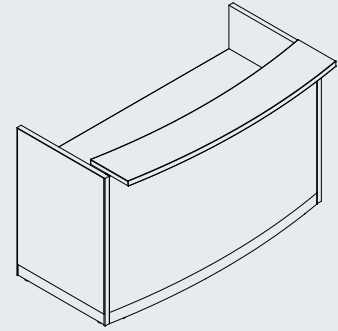
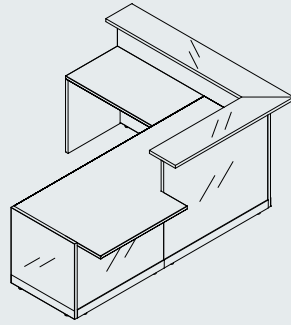
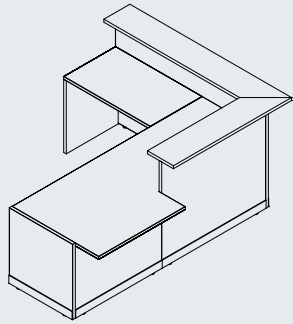
As per standard melamine colour card

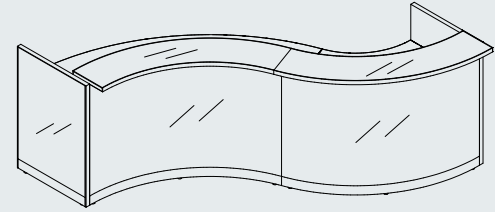
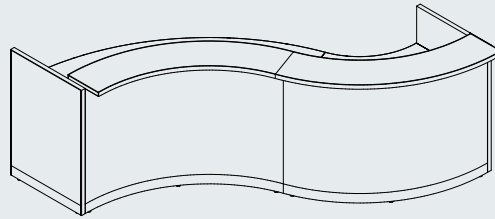
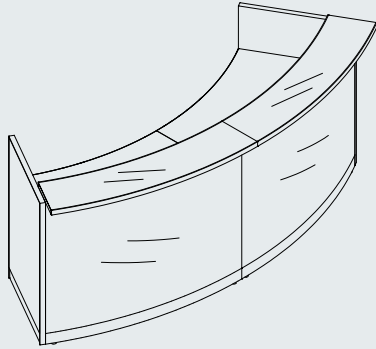
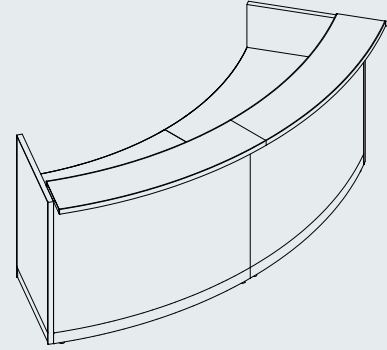
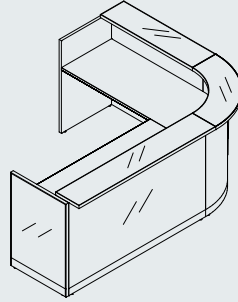
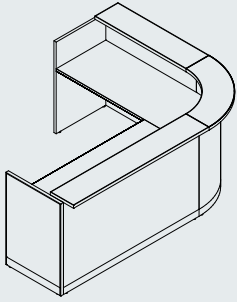
KD FITTINGS

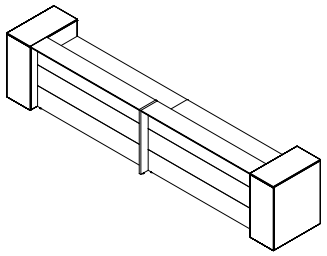
All connections are carried through a 4-part metal KD fitting. Metal inserts are permanently inserted in the core of the particleboard enabling easier and unlimited disassembly and re-assembly.

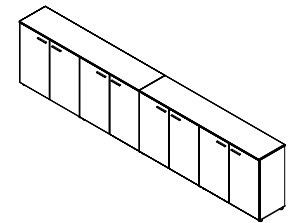
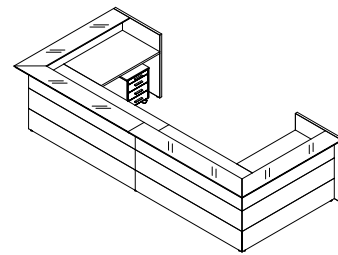
CLASS

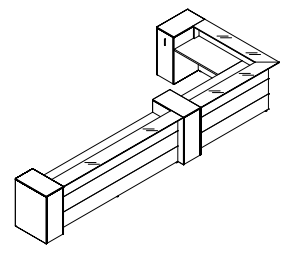
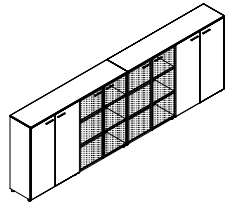


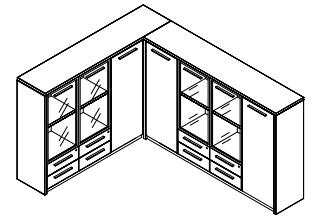
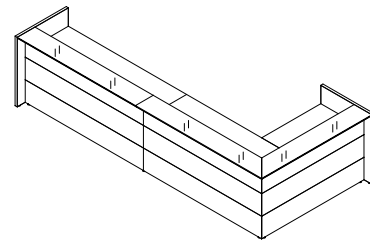


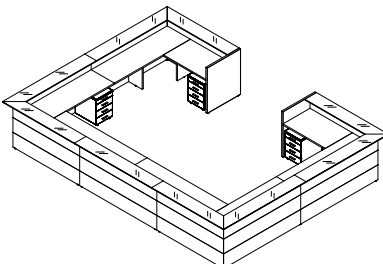
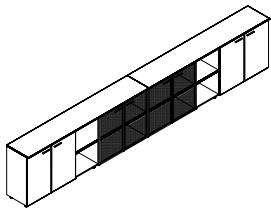


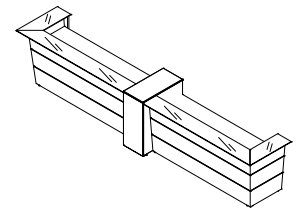


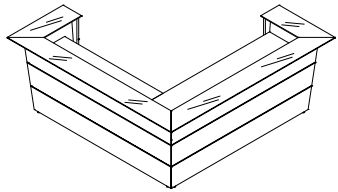












LOBBY TECHNICAL SPECIFICATIONS

WORKTOPS

Made of 30 mm thick Particleboards faced with melamine (MFC), available in a variety of standard colours. The tops are fitted to the support panels with knock-down fittings for easier and unlimited disassembly and re-assembly.

FRONT PANELS

Panels in 30mm-thick Medium Density Fiberboard (MDF) in lacquer with two horizontal decorative grooving lines in silver finish. All panels are fitted with aluminum height adjusters for possible floor abnormalities.

SUPPORT PANELS

Horizontal panels in 36mm - thick Medium Density Fiberboard (MDF) in lacquer finish, all edged with polished aluminum profile. They are extended upto the counter top level or interrupted at the desk top level for courier access. All panels are fitted with aluminum height adjusters for possible floor abnormalities.

COUNTER TOPS

Tempered glass-top 10mm - thick resting on 18mm-thick lacquered MDF, both framed in polished aluminum profile.

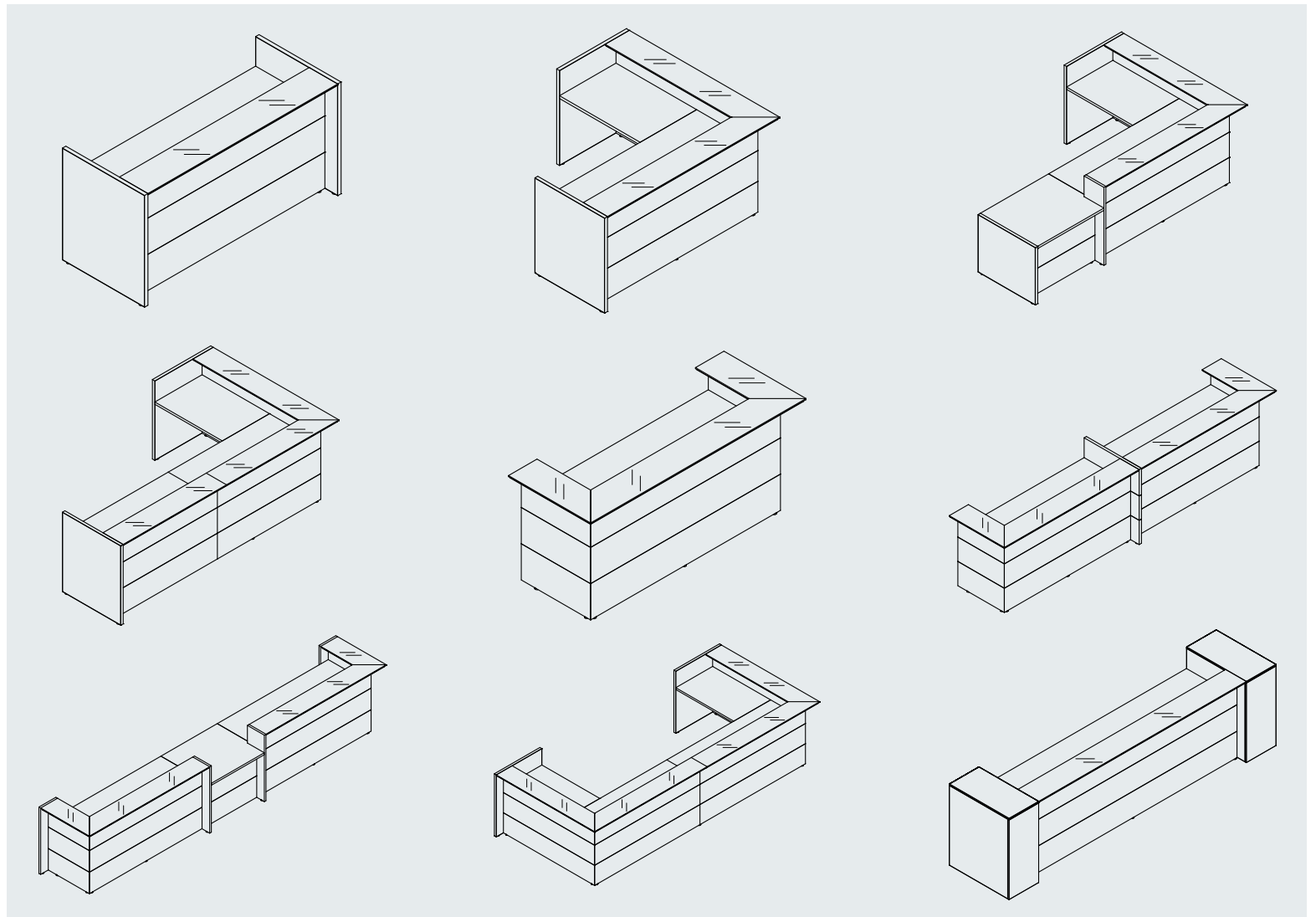
VARIETY OF COLOURS

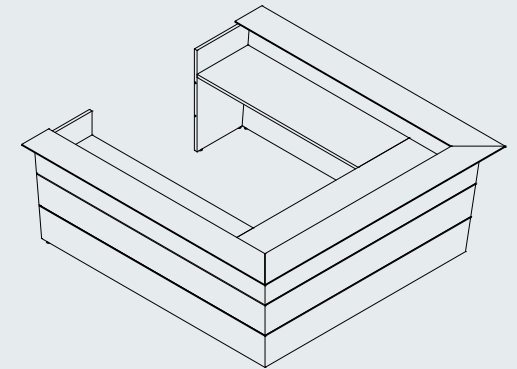
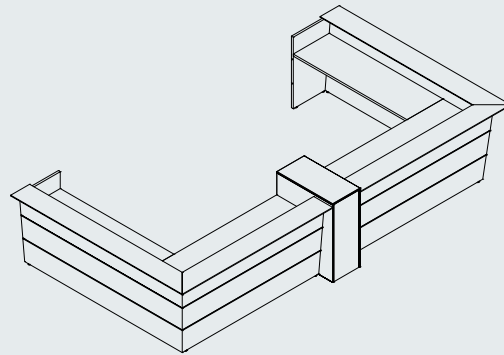
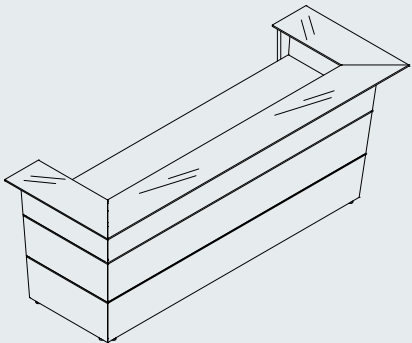
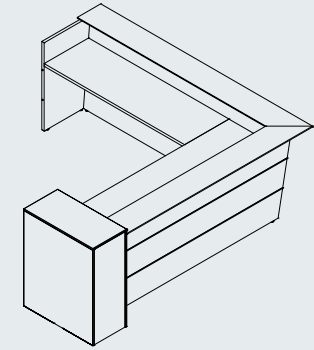
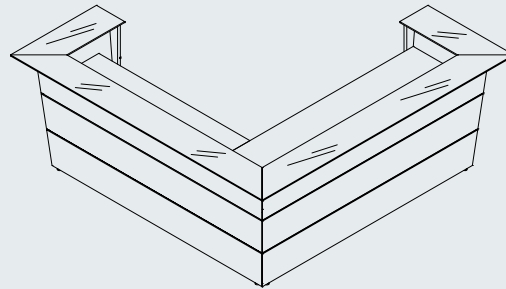
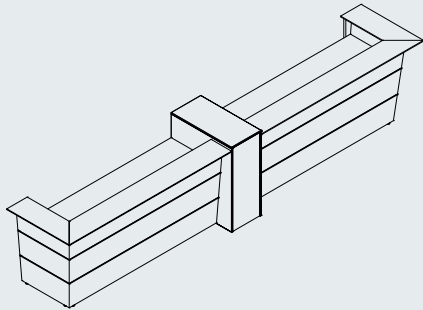
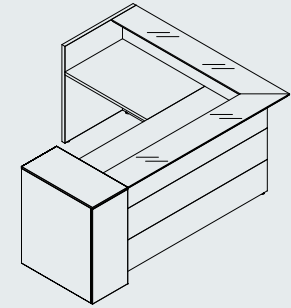
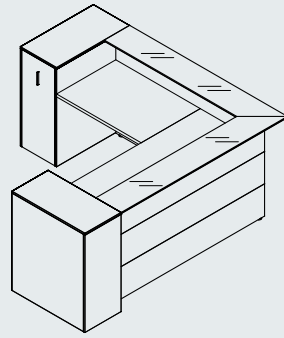
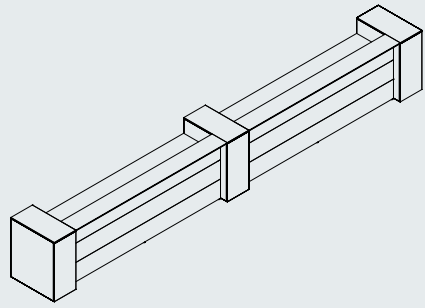
As per standard melamine colour card

KD FITTINGS

All connections are carried through a 4-part metal KD fitting. Metal inserts are permanently inserted in the core of the particleboard enabling easier and unlimited disassembly and re-assembly.

LOBBY & LOBBY INCLINED





FINISHES

GLASS



BLACK



GREEN



RED



WHITE

WOOD



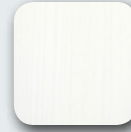
3D DARK



3D GREY OAK



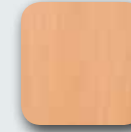
3D METALLIC



3D SNOW
White



3D WALNUT
NAPA



BEECH NWT



JOY WALNUT



BLACK



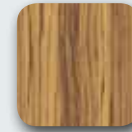
CHERRY S



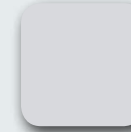
CHERRY T



DARK HD



ELIA 3D



GREY SAND



3D LIMASSOL
OAC



RIGE
CHOCOLATE



RIGE ICE



RIGE STONE



3D ASSIA



SILVER



WALNUT
AMATHUS



WALNUT
NICOSIE



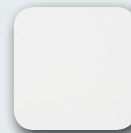
WALNUT



WENGE



WHITE OAK



WHITE



OAK KERYNIA



3D SAWN WOOD
KAMBOS



3D PETRA
ROMIOU

Takis Charalambous & Co Ltd.

Head Office & Main Showroom:

19 Vyzantiou Str., 2064 Nicosia-Cyprus,
Tel: +357 22874444, Fax: +357 22495460,
Email: sales@takis.com

Factory & Stores:

Ergates Industrial Area, 2643 Nicosia-Cyprus,
Tel: +357 22621419, Fax: +357 22623007,
Email: operations@takis.com

Mailing / Web:

P.O.Box 28739, 2082 Nicosia-Cyprus,
<http://www.takis.com>

