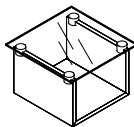
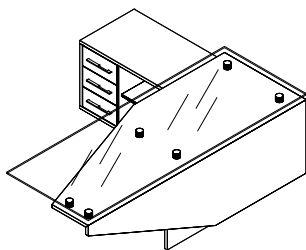
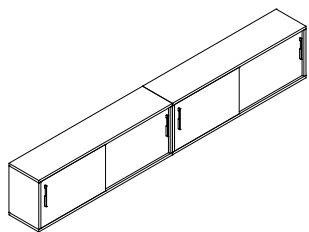
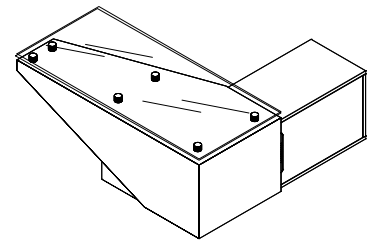
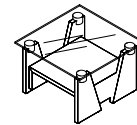
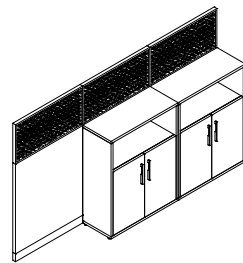
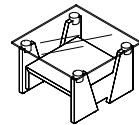
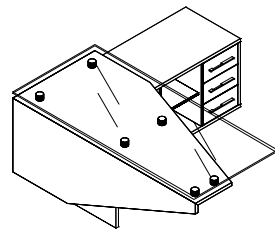
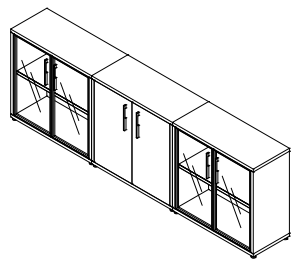
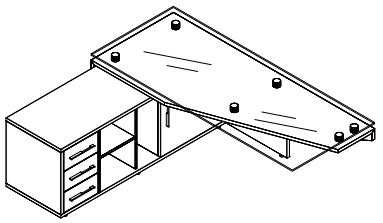


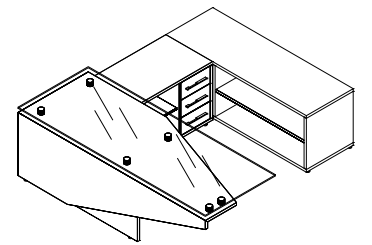
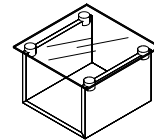
# Provola

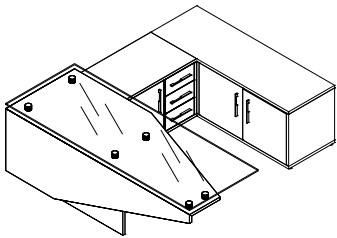
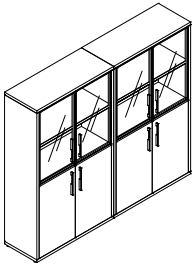


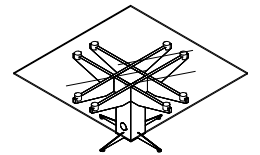
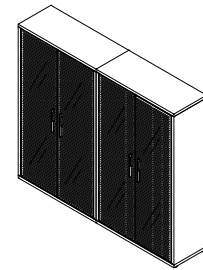
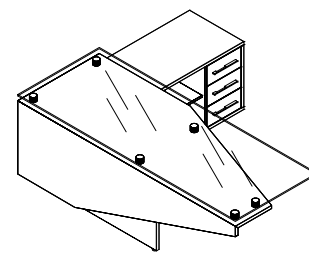


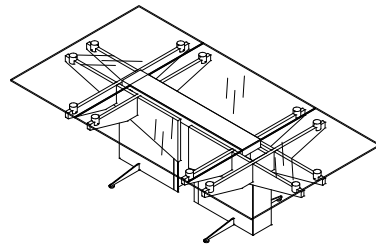
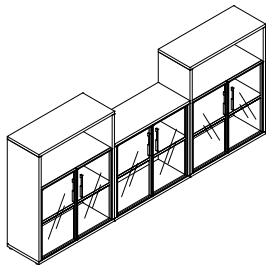
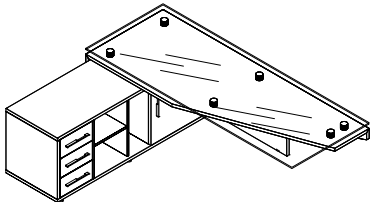
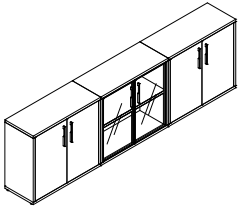




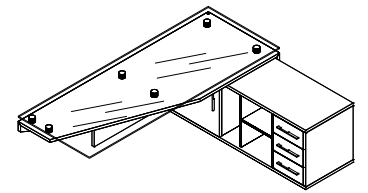
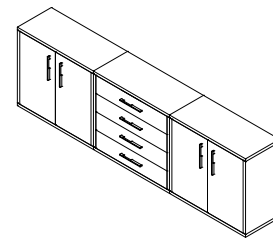
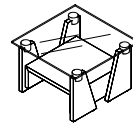
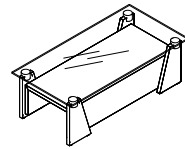
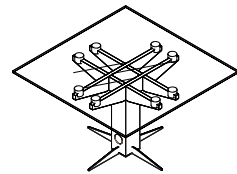


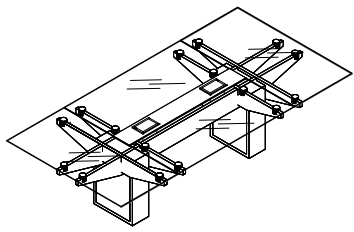


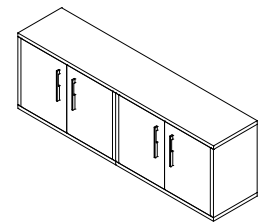
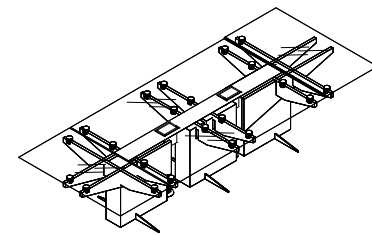


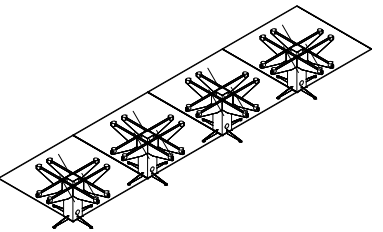












### WORKTOPS

Double worktop where the bottom one is made of 30 mm thick particleboards in semi-arrowhead shaped form. The top worktop is 12mm-thick clear transparent tempered glass. The top worktop floats over the bottom one via special aluminum design fixtures. Wooden panels are edged with 1,2mm-thick matching colour PVC. The wooden bottom worktop is fitted to the support panels with knock-down fittings for easier and unlimited disassembly and re-assembly.

### DESK SUPPORT PANELS

30mm-thick particleboards faced in melamine are used for the front support panel and an overlapping 30mm-thick semi-arrowhead shaped form acting as the front modesty panel. All are finished off with matching PVC edgings. Support panels are fitted with aluminum height adjusters for possible floor abnormalities.

### SIDE EXTENSION

Fixed unit made of 30mm-thick melamine faced particleboard in one- or two-colour tone. Equipped with drawer unit and one hinged-door cabinet.

### STORAGE UNITS

- The carcass structure is made of 30mm thick particleboards faced with wax-finish melamine.
- Aluminum height-adjusters are available for each cabinet in order to compensate for possible floor abnormalities.
- The doors are made of 18 mm thick particleboards faced with wax-finish melamine. They are edged with 1,2mm-thick PVC edgebanding material to match the surface.
- All shelves are adjustable ones at increments of 32mm and carry a thickness of 30mm.
- The soft-closing glass doors are available with clear, frosted or tinted glass finish and come in 3 versions: the first version comes without a frame. The second version comes with a slim aluminum-look frame and the third one comes with a melamine wood-frame available in the standard melamine colour card to match the carcass panels surface.
- All doors come as standard without a lock but a 2-key lock with interchangeable lock cylinder is available upon request. A master key is also available upon request at an extra cost.
- Door handles are available in brushed stainless steel finish.

### KD FITTINGS

All connections are carried through a 4-part metal KD fitting. Metal inserts are permanently inserted in the core of the particleboard enabling easier and unlimited disassembly and re-assembly.

### DRAWER UNITS

- The carcass structure is made of 18 mm thick particleboards faced with wax-finish melamine.
- The carcass panels are edged with 0,8mm-thick PVC edgebanding material to match the surface.
- The drawer fronts are made of 18 mm thick particleboards faced with wax-finish melamine and are available in the standard melamine colour card. They are edged with 1,2mm-thick PVC edgebanding material to match the surface.
- The wood drawers feature a central lock with 2 keys with interchangeable lock cylinder. A master-key is available upon request at an extra cost.
- The runners are made of metal with nylon bearings complete with mechanical extraction stops and self-closing mechanism.
- The drawer units have black nylon double-action heavy-duty castors.

WOOD



3D DARK



3D GREY OAK



3D METALLIC



3D SNOW  
White



3D WALNUT  
NAPA



BEECH NWT



JOY WALNUT



BLACK



CHERRY S



CHERRY T



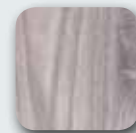
DARK HD



ELIA 3D



GREY SAND



3D LIMASSOL  
OAC



ARTIC OAK



RIGE ICE



RIGE STONE



3D ASSIA



SILVER



WALNUT  
AMATHUS



WALNUT  
NICOSIE



WALNUT



WENGE



WHITE OAK



WHITE



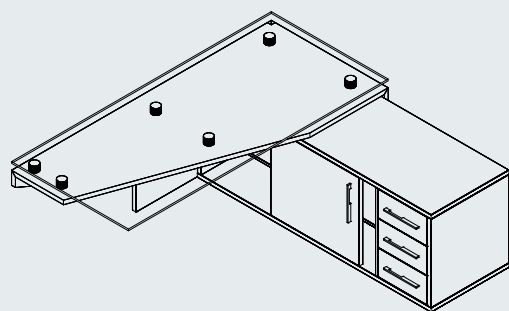
OAK KERYNIA



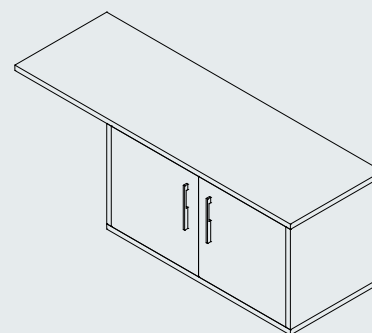
3D SAWN WOOD  
KAMBOS



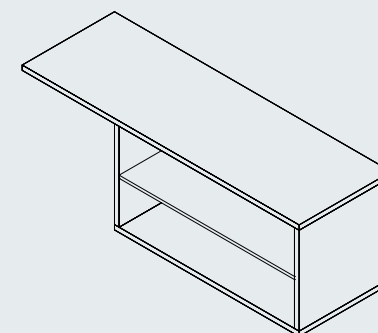
3D PETRA  
ROMIOU



200x190x75  
220x190x75  
240x190x75

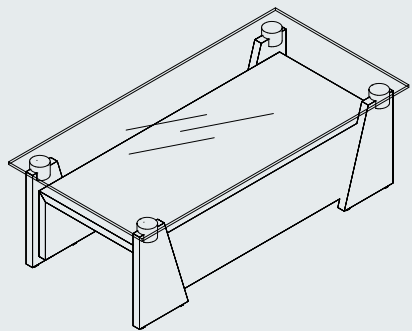


180x60x66

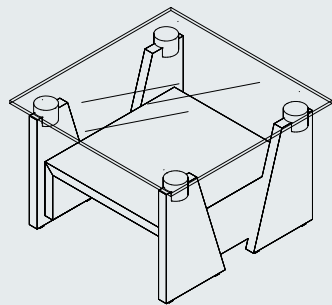


180x60x66

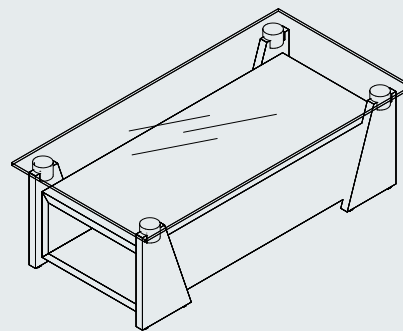
APOLLO DIMENSIONS



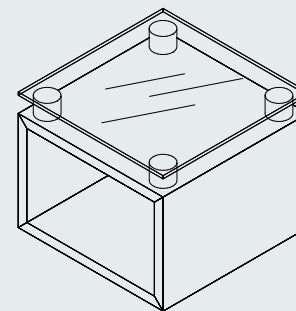
124x62x45.5



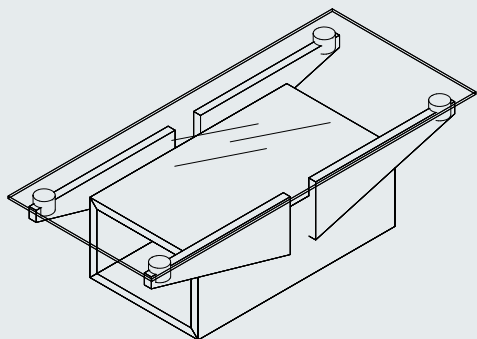
62x62x45.5



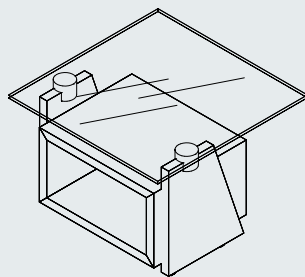
124x62x45.5



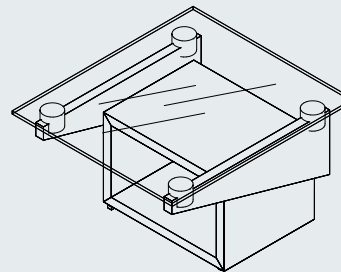
62x62x44.5



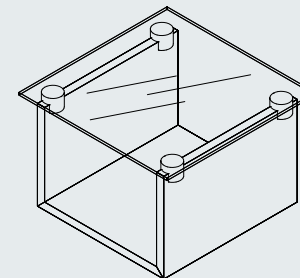
140x62x45.5



62x62x44.5

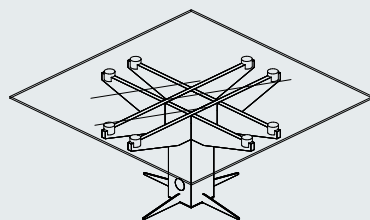


62x62x44.5

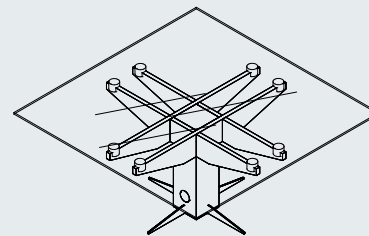


62x62x44.5

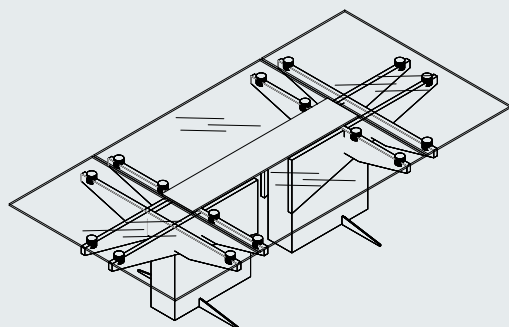




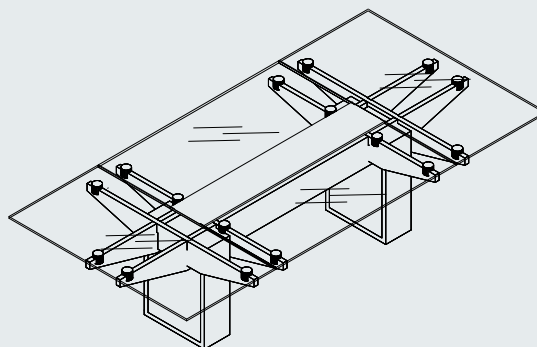
120x120x75



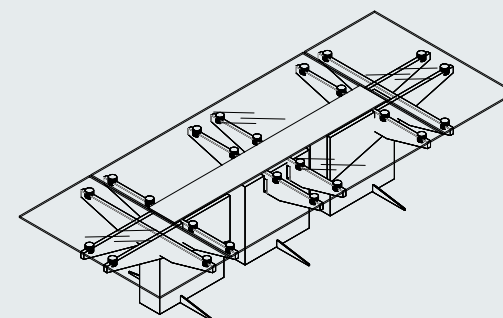
160x160x75



263x140x75

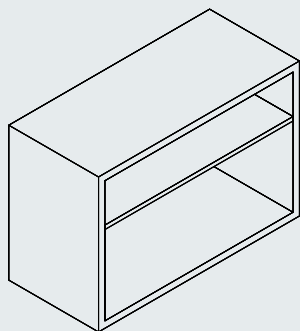


283x140x75  
353x140x75

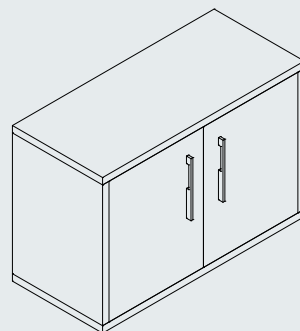


355x140x75

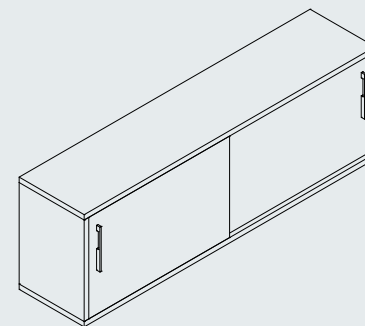
APOLLO DIMENSIONS



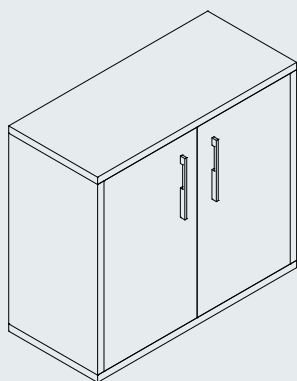
100x42x66



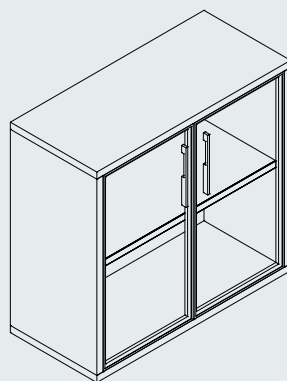
100x42x66



188x42x66



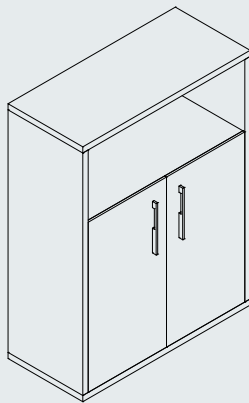
100x42x89



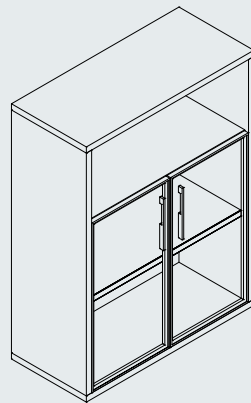
100x42x89



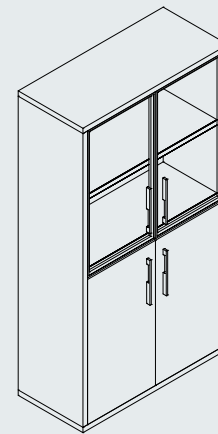
100x42x89



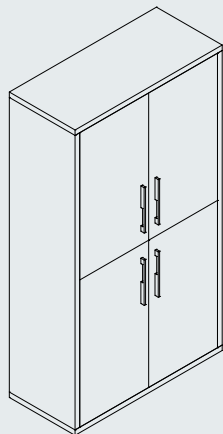
100x42x127



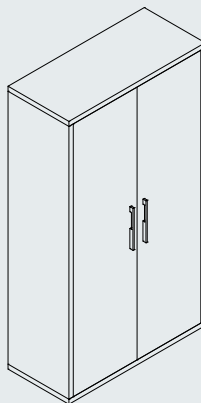
100x42x127



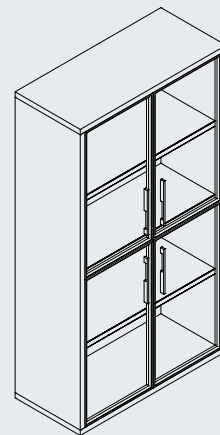
100x42x172



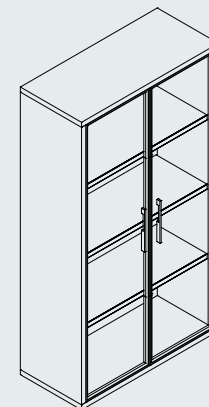
100x42x172



100x42x172



100x42x172



100x42x172

## Takis Charalambous & Co Ltd.

### Head Office & Main Showroom:

19 Vyzantiou Str., 2064 Nicosia-Cyprus,  
Tel: +357 22874444, Fax: +357 22495460,  
Email: sales@takis.com

### Factory & Stores:

Ergates Industrial Area, 2643 Nicosia-Cyprus,  
Tel: +357 22621419, Fax: +357 22623007,  
Email: operations@takis.com

### Mailing / Web:

P.O.Box 28739, 2082 Nicosia-Cyprus,  
<http://www.takis.com>

